

CONCERT COOKERS

THIS COMPREHENSIVE COLLECTION OF COOKERS COMBINES CLEAN DESIGN LINES WITH HIGH QUALITY COMPONENTS AND THE RESULT IS A SELECTION OF APPLIANCES WHICH ARE PRACTICAL, EASY TO USE AND WHICH PRODUCE EXCELLENT RESULTS FOR TODAY'S COOK. THE CONCERT SELECTION OFFERS MODELS WITH SINGLE AND DOUBLE OVENS IN A VARIETY OF WIDTHS WITH EXTENSIVE CHOICES OF HOB TYPES.



Distinctive style

The Concert collection has a distinctive design with a softly rounded top, flat cast iron pan stands or ceramic hob, a solid stylish door, and Classic controls and handles which co-ordinate well with other Smeg appliances.

Colour range

All the Concert cookers are available in the classic brushed stainless steel finish, and many are also offered in gloss black. The popular 90cm double oven dual fuel model illustrated here in gloss black has three colour options: stainless steel, gloss black and gloss cream. The 60cm double oven model is available in stainless steel with a gas or ceramic hob, and the dual fuel version can also be purchased in gloss black or white.



Hob options

Each Concert cooker model is offered in a version with a gas hob - the most popular choice of cooking surface for the majority of cooks, and each gas hob has an ultra rapid burner, extremely quick and efficient for wok cooking and large pans. All of the single and double 60cm and 90cm cookers are also available with ceramic hobs, which include single and dual cooking zones, and an oval dual zone suitable for a fish kettle or large oval pan.





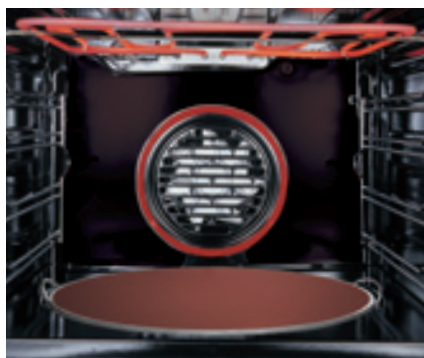
Pyrolytic cleaning

There are two 60cm Concert cookers which offer pyrolytic cleaning, the SUK61MPX5 with a gas hob, and the SUK61CPX5 with a ceramic hob. These cookers have quadruple glazed doors and are A rated for energy efficiency. The exterior door temperature does not exceed 55°C during the pyrolytic cleaning process and the flat all glass inner door avoids any inadvertent collection of food particles. Pyrolytic cleaning is a great time saver for busy people, allowing time for more productive pursuits and leaving the oven interior clean without needing to use harsh chemicals or manual effort.



Functions and programmer

All Concert cookers offer a range of oven cooking functions, which always includes circulaire, a particularly quick and efficient method of cooking, ensuring even browning of food and saving energy. An easy-to-use electronic clock and programmer is standard on every Concert model.



Pizza cooking facility

The SUK61XPZ5 is a multifunction dual fuel cooker with a custom designed pizza cooking function. The element at the base of the oven is circular, with an enamel cover, which is removed to allow the pizza stone to be put in position to heat up quickly and efficiently. A wooden handled shovel is provided to place or remove the pizzas safely with the greatest of ease.

SUK92MFX5

90CM COOKER WITH DOUBLE OVEN AND
GAS HOB, ST/STEEL
ENERGY RATING AA



SUK92MBL5

90CM COOKER WITH DOUBLE OVEN AND
GAS HOB, GLOSS BLACK
ENERGY RATING AA



SUK92MFP5

90CM COOKER WITH DOUBLE OVEN AND
GAS HOB, CREAM
ENERGY RATING AA



MAIN OVEN:

Energy Rating A
5 functions



57 litres
Digital electronic clock/programmer
Cooling fan
Grill
Conventional: 0.79kW/h
Forced air convection: 1.02kW/h

AUXILIARY OVEN (STATIC OVEN):

Energy Rating A
4 functions



27 litres
Grill
Conventional: 0.59kW/h

Double storage compartment beneath
the ovens

HOB:

5 burners
Rear left: 1.75kW
Front left: Rapid 3.0kW
Centre: Ultra rapid 3.5kW
Rear right: 1.75kW
Front right: 1.0kW
Heavy duty cast iron pan stands
Automatic electronic ignition
Safety valves
Adaptable for LPG

Nominal Power: 4.3kW
30 Amp power supply required

AVAILABLE IN THE FOLLOWING VERSIONS:

St/steel **SUK92MFX5**
Gloss black **SUK92MBL5**
Cream **SUK92MFP5**

FOR ALL MODELS ON THIS PAGE & THE SUK92CMX5:

STANDARD ACCESSORIES:

MAIN OVEN: roasting/grill pan, 2 chrome shelves
(1 doubles as grill mesh), non stick tray
AUXILIARY OVEN: roasting/grill pan, grill mesh,
handle, chrome shelf

OPTIONAL EXTRAS:

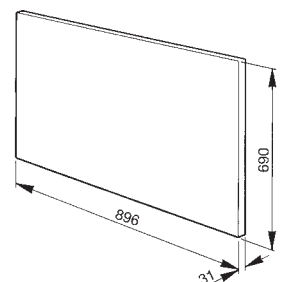
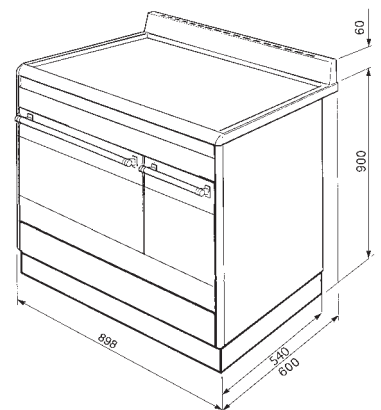
Splash back
Cast iron griddle
Plate rack for auxiliary oven
(Not for SUK92CMX5)

KIT90X
BB3679
PR7A2

MATCHING HOODS AVAILABLE:

St/steel
Cream

KSED95X-1
KSED95P



SUK92CMX5

90CM COOKER WITH DOUBLE OVEN AND CERAMIC HOB, ST/STEEL
ENERGY RATING AA



MAIN OVEN:

Energy Rating A
5 functions



57 litres
Digital electronic clock/programmer
Cooling fan
Grill
Conventional: 0.79kW/h
Forced air convection: 1.02kW/h

AUXILIARY OVEN (STATIC OVEN):

Energy Rating A
4 functions



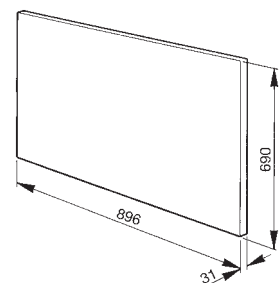
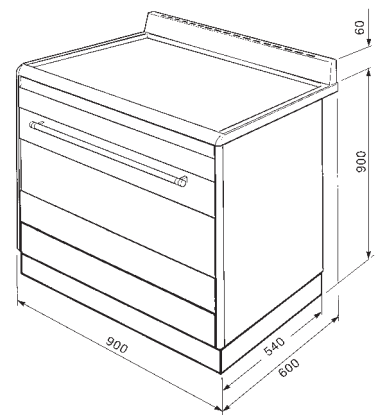
27 litres
Grill
Conventional: 0.59kW/h

Double storage compartment beneath the ovens

HOB:

5 radiant 'High-Light' zones, including 2 dual
Rear left: Ø 195mm, 2.0kW
Front left: Ø 140mm, 1.2kW
Central dual zone: Ø 170/265mm, 1.4/2.2kW
Rear right dual zone: Ø 140/210mm, 1.4/2.2kW
Front right: Ø 140mm, 1.2kW
Residual heat indicators
Automatic safety cut-out

Nominal power: 13.1kW
45 Amp power supply required



SUK91MFX5

90CM COOKER WITH MULTIFUNCTION OVEN
AND GAS HOB, ST/STEEL
ENERGY RATING B



OVEN:
Energy Rating B
6 functions



109 litres
Digital electronic clock/programmer
Double fan cooking
Cooling fan
Variable grill
Rotisserie
Storage compartment beneath the oven

HOB:
5 burners
Rear left: 1.75kW
Front left: Rapid 3.0kW
Centre: Ultra rapid 3.5kW
Rear right: 1.75kW
Front right: 1.0kW
Heavy duty cast iron pan stands
Safety valves
Automatic electronic ignition
Adaptable for LPG

Nominal power: 4.1kW
Conventional: 1.19kW/h
Forced air convection: 1.25kW/h
30 Amp power supply required

AVAILABLE IN THE FOLLOWING VERSIONS:

St/steel
Gloss black

SUK91MFX5
SUK91MBL5

SUK91MBL5

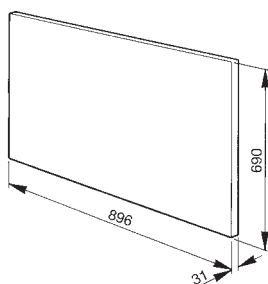
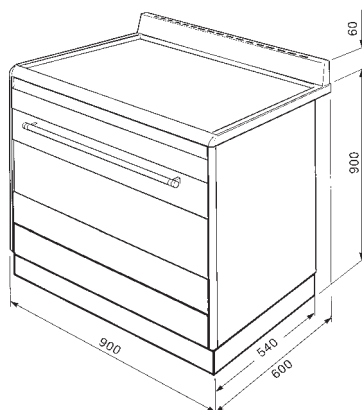
90CM COOKER WITH MULTIFUNCTION OVEN
AND GAS HOB, GLOSS BLACK
ENERGY RATING B



STANDARD ACCESSORIES:
Roasting/grill pan, 2 chrome shelves
(1 doubles as grill mesh), non-stick tray,
roastisserie kit

OPTIONAL EXTRAS:
Splash back
Cast iron griddle

KIT90X
BB3679



SUK91CMX5

90CM COOKER WITH MULTIFUNCTION OVEN
AND CERAMIC HOB, ST/STEEL
ENERGY RATING B



OVEN:

Energy Rating B
6 functions



109 litres
Digital electronic clock/programmer
Double fan cooling system
Cooling fan
Variable grill
Rotisserie
Storage compartment beneath the oven

HOB:

5 radiant 'High-Light' zones,
including 2 dual
Rear left: Ø 195mm, 2.0kW
Front left: Ø 140mm, 1.2kW
Central dual zone: Ø 170/265mm,
1.4/2.2kW
Rear right dual zone: Ø 140/210mm,
1.4/2.2kW
Front right: Ø 140mm, 1.2kW
Residual heat indicators
Automatic safety cut-out

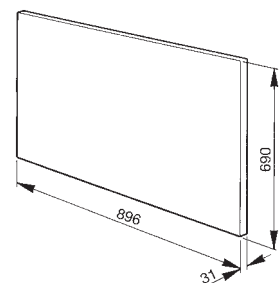
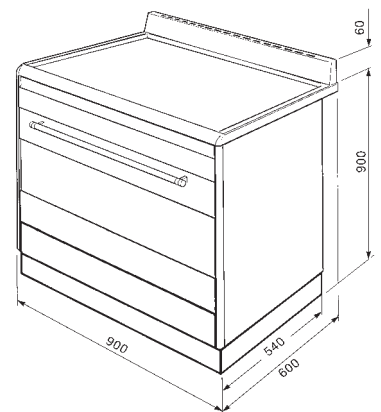
Nominal power: 13.4kW
Conventional: 1.19kW/h
Forced air convection: 1.25kW/h
45 Amp power supply required

STANDARD ACCESSORIES:

Roasting/grill pan, 2 chrome shelves
(1 doubles as grill mesh), non-stick tray,
rotisserie kit

OPTIONAL EXTRAS:
Splash back

KIT90X



SUK81MFX5

80CM COOKER WITH MULTIFUNCTION OVEN
AND GAS HOB, ST/STEEL
ENERGY RATING A



OVEN:

Energy Rating A

6 functions



78.5 litres

Digital electronic clock/programmer

Cooling fan

Variable grill

Rotisserie

Storage compartment beneath the oven

HOB:

5 burners

Rear left: 1.75kW

Front left: Rapid 2.3kW

Centre: Ultra rapid 3.5kW

Rear right: 1.75kW

Front right: 1.0kW

Heavy duty cast iron pan stands

Safety valves

Automatic electronic ignition

Adaptable for LPG

Nominal power: 3.0kW

Conventional: 1.15kW/h

Forced air convection: 0.99kW/h

13 Amp power supply required

SUK81MBL5

80CM COOKER WITH MULTIFUNCTION OVEN
AND GAS HOB, GLOSS BLACK
ENERGY RATING A



STANDARD ACCESSORIES:

Roasting/grill pan, 2 chrome shelves
(1 doubles as grill mesh), non-stick tray,
rotisserie kit

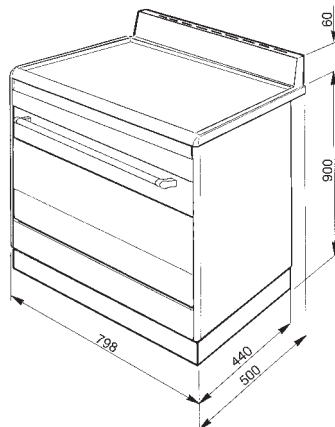
AVAILABLE IN THE FOLLOWING VERSIONS:

St/steel

Gloss black

SUK81MFX5

SUK81MBL5



SUK62MFX5

60CM COOKER WITH DOUBLE OVEN AND GAS HOB, ST/STEEL
ENERGY RATING AB

SUK62MBL5


60CM COOKER WITH DOUBLE OVEN AND GAS HOB, GLOSS BLACK
ENERGY RATING AB

SUK62MWH5

60CM COOKER WITH DOUBLE OVEN AND GAS HOB, WHITE
ENERGY RATING AB



MAIN FAN OVEN:
Energy Rating A

 Circulaire

55 litres
Digital electronic clock/programmer
Air cooling system
Triple glazed removable door
Forced air convection: 0.74kW/h

AUXILIARY OVEN (STATIC OVEN):

Energy Rating B
4 functions



29 litres
Variable grill
Air cooling system
Triple glazed removable door
Conventional: 0.66kW/h

HOB:
4 burners
Rear left: 1.75kW
Front left: Ultra Rapid 3.5kW
Rear right: 1.75kW
Front right: 1.0kW
Heavy duty cast iron pan stands
Safety valves
Automatic electronic ignition
Adaptable for LPG

Nominal power: 5.4kW
30 Amp power supply required

AVAILABLE IN THE FOLLOWING VERSIONS:

St/steel
White
Gloss black

SUK62MFX5
SUK62MWH5
SUK62MBL5

STANDARD ACCESSORIES:

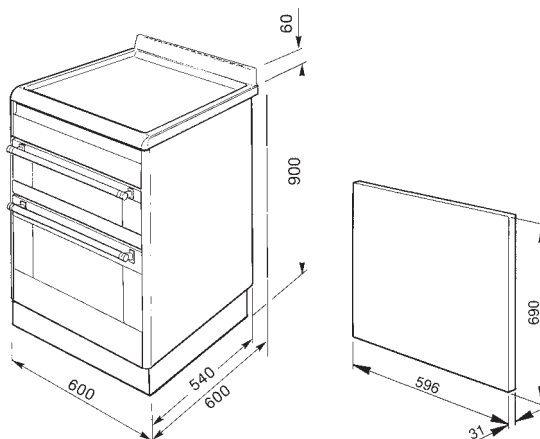
MAIN OVEN: Roasting/grill pan, chrome shelf, non-stick tray

AUXILIARY OVEN: Roasting/grill pan, chrome shelf, grill mesh, handle

OPTIONAL EXTRAS:

Universal Pizza Stone
Pizza Shovel
Splash back
Stay clean liners (main oven)
3 level telescopic shelf set
2 level telescopic shelf set
Cast iron griddle

PPR1
PAL
KIT60X
3797
GT123DX
GT13X
BB3679



SUK62CMX5

60CM COOKER WITH DOUBLE OVEN AND
CERAMIC HOB ST/STEEL
ENERGY RATING AB



MAIN FAN OVEN:

Energy Rating A



55 litres

Digital electronic clock/programmer

Air cooling system

Triple glazed removable door

Forced air convection: 0.74kW/h

AUXILIARY OVEN (STATIC OVEN):

Energy Rating B

4 functions



29 litres

Variable grill

Air cooling system

Triple glazed removable door

Conventional: 0.66kW/h

HOB:

4 "High-light" cooking zones including one
2-way circular zone and one oval dual zone

Rear left: Ø 145mm, 1.2kW

Front left: Ø 120/210mm, 0.75/2.2kW

Rear right: Ø 170/265mm, 1.4/2.2kW

Front right: Ø 180mm, 1.8kW

Residual heat indicators

Nominal power: 12.8kW

45 Amp power supply required

STANDARD ACCESSORIES:

MAIN OVEN: Roasting/grill pan, chrome shelf,
non-stick tray

AUXILIARY OVEN: Roasting/grill pan, chrome shelf,
grill mesh, handle

OPTIONAL EXTRAS:

Universal Pizza Stone

Pizza Shovel

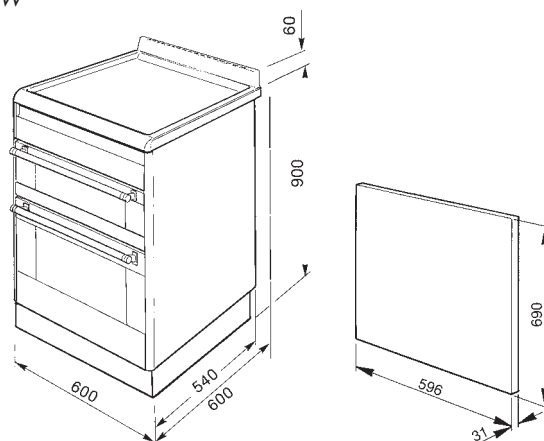
Splash back

Stay clean liners (main oven)

3 level telescopic shelf set

2 level telescopic shelf set

PPR1
PAL
KIT60X
3797
GT123DX
GT13X



SUK61MPX5

60CM COOKER WITH **PYROLITIC** MULTIFUNCTION OVEN AND GAS HOB, ST/STEEL
ENERGY RATING A

SUK61XPZ5

60CM COOKER WITH MULTIFUNCTION OVEN, GAS HOB AND PIZZA COOKING FACILITY
ENERGY RATING A



OVEN:
Energy rating A
10 functions



54 litres
Digital electronic clock/programmer
Cooling fan
Variable grill
Quadruple glazed removable cooler door
Removable inner door glasses
Rotisserie
Pyrolitic cleaning
Storage compartment beneath the oven

Conventional: 0.79kW/h
Forced air convection: 0.76kW/h

HOB:
4 burners
Rear left: 1.75kW
Front left: Ultra Rapid 3.5kW
Rear right: 1.75kW
Front right: 1.0kW
Heavy duty cast iron pan stands
Safety valves
Automatic electronic ignition
Adaptable for LPG

Nominal power: 2.80kW
13 Amp power supply required

STANDARD ACCESSORIES:
Roasting/grill pan, grill mesh, enamelled tray, chrome shelf, handle, rotisserie frame and kit

OPTIONAL EXTRAS:
Universal Pizza Stone
Pizza Shovel
Splash back

PPR1
PAL
KIT60PX



OVEN:
Energy Rating A
8 functions



65 litres
Digital electronic clock/programmer
Cooling fan
Variable grill
Storage compartment beneath the oven
Special lower element for pizza cooking

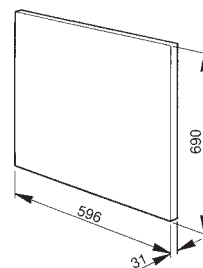
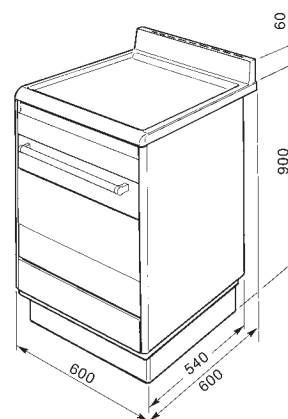
HOB
4 burners
Rear left: 1.75kW
Front left: Ultra Rapid 3.5kW
Rear right: 1.75kW
Front right: 1.0kW
Heavy duty cast iron pan stands
Safety valves
Automatic electronic ignition
Adaptable for LPG

Nominal power: 3.0kW
Conventional: 0.98kW/h
Forced air convection: 1.10kW/h
13 Amp power supply required

STANDARD ACCESSORIES:
Roasting/grill pan, chrome shelf, grill mesh, handle, non-stick tray, pizza stone, pizza shovel

OPTIONAL EXTRA:
Splash back
Cast iron griddle

KIT60X
BB3679



SUK61MFX5

60CM COOKER WITH MULTIFUNCTION OVEN
AND GAS HOB, ST/STEEL
ENERGY RATING A



OVEN:
Energy Rating A
5 functions



65 litres
Digital electronic clock/programmer
Cooling fan
Variable grill
Storage compartment beneath the oven

HOB:
4 burners
Rear left: 1.75kW
Front left: Ultra Rapid 3.5kW
Rear right: 1.75kW
Front right: 1.0kW
Heavy duty cast iron pan stands
Safety valves
Automatic electronic ignition
Adaptable for LPG

Nominal power: 2.3kW
Conventional: 0.98kW/h
Forced air convection: 1.10kW/h
13 Amp power supply required

AVAILABLE IN THE FOLLOWING VERSIONS:

St/steel
Gloss black

SUK61MFX5
SUK61MBL5

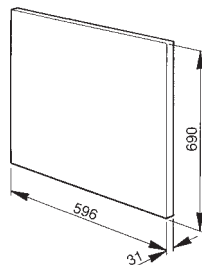
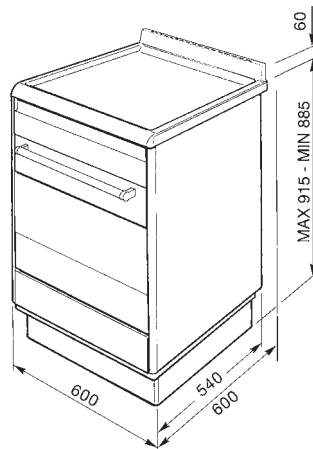
SUK61MBL5

60CM COOKER WITH MULTIFUNCTION OVEN
AND GAS HOB, GLOSS BLACK
ENERGY RATING A



STANDARD ACCESSORIES:
Roasting/grill pan, 1 chrome shelf, grill
mesh, non-stick tray, handle

OPTIONAL EXTRAS:
Universal Pizza Stone **PPR1**
Pizza Shovel **PAL**
Splash back **KIT60X**
Cast iron griddle **BB3679**



SUK61CPX5

60CM COOKER WITH **PYROLITIC** MULTIFUNCTION OVEN & CERAMIC HOB, ST/STEEL
ENERGY RATING A



OVEN:
Energy rating A
10 functions



54 litres
Digital electronic clock/programmer
Cooling fan
Variable grill
Quadruple glazed removable cooler door
Removable inner door glasses
Rotisserie
Pyrolitic cleaning
Storage compartment beneath the oven

Conventional: 0.79kW/h
Forced air convection: 0.76kW/h

HOB:
4 cooking zones, including 2 dual
Rear left: Ø 140mm, 1.2kW
Front left: Ø 120/210mm, 0.75/2.2kW
Rear right: Ø 170/265mm, 1.4/2.2kW
Front right: Ø 180mm, 1.8kW
Residual heat indicators
Automatic safety cut-out

Nominal power: 10.2kW
30 Amp power supply required

STANDARD ACCESSORIES:
Roasting/grill pan, grill mesh, enamelled tray, chrome shelf, handle, rotisserie frame and kit

OPTIONAL EXTRAS:
Universal Pizza Stone **PPR1**
Pizza Shovel **PAL**
Splash back **KIT60PX**



SUK61CMX5

60CM COOKER WITH MULTIFUNCTION OVEN AND CERAMIC, HOB ST/STEEL
ENERGY RATING A



OVEN:
Energy Rating A
5 functions



65 litres
Digital electronic clock/programmer
Cooling fan
Variable grill
Storage compartment beneath the oven

HOB:
4 "High-light" cooking zones including one 2-way circular zone and one oval dual zone
Rear left: Ø 145mm, 1.2kW
Front left: Ø 120/210mm, 0.75/2.2kW
Rear right: Ø 170/265mm, 1.4/2.2kW
Front right: Ø 180mm, 1.8kW
Residual heat indicators
Automatic safety cut-out

Nominal power: 10.5kW
Conventional: 0.98kW/h
Forced air convection: 1.10kW/h
30 Amp power supply required

STANDARD ACCESSORIES:
Roasting/grill pan, 1 chrome shelf, grill mesh, non-stick tray, handle

OPTIONAL EXTRAS:
Splash back
Universal Pizza Stone **PPR1**
Pizza Shovel **PAL**

