

SYMPHONY COOKERS

THE AESTHETIC APPEAL OF THE SYMPHONY RANGE CONVEYS THE LOOK AND FEEL OF A SPECIALIST KITCHEN IN A DOMESTIC ENVIRONMENT. BY USING CLASSIC ELEMENTS IN ITS DESIGN, THIS RANGE IS EXTREMELY VERSATILE AND ABLE TO CO-ORDINATE WITH A WIDE RANGE OF SMEG PRODUCTS.



The Symphony design

The Symphony range is characterised by a contemporary and distinctive square design and is the first four cavity Smeg cooker. Featuring distinctive ergonomic control knobs and stainless steel handles, this range is a clear extension of the Classic family. The cookers offer the ability to achieve excellent culinary results using an extensive array of functions and features that allow for simultaneous cooking of a diverse range of foods at varying temperatures.



Variations of the Symphony range

Symphony cookers are currently available in three colours: stainless steel, gloss black and white.

The stainless steel splash back complements the handles and controls of all versions, and hoods are available in all three colours.

Cooker features

Measuring 110cm wide, the Symphony cooker offers 6 high performance gas burners, including an ultra-rapid burner of 4kW perfect for wok cooking. In addition, the hob has a useful ceramic warming zone, ideal for keeping food warm and can be used with or without a heavy duty cast iron pan stand.

The grill compartment is fully variable offering three grilling levels and a generous capacity of 29 litres, whilst the two oven compartments each boast an equally capacious 55 litres, both with a variety of functions. Underneath the right hand oven is a spacious storage drawer, perfect for housing accessories and plates.





SY4110

SY4110BL

110CM "SYMPHONY" DUAL FUEL FOUR CAVITY
RANGE COOKER, GLOSS BLACK
ENERGY RATING AA



MAIN OVEN - TOP RIGHT:

Energy rating A
8 functions



55 litres
Digital electronic clock/programmer
Air cooling system
Double glazed removable door
Conventional: 0.79kW/h
Forced air convection: 0.79kW/h

AUXILIARY OVEN (STATIC OVEN) - LOWER LEFT:

Energy rating A
4 functions



55 litres
Air cooling system
Triple glazed removable door
Conventional: 0.79kW/h

GRILL COMPARTMENT - TOP LEFT:



Full variable grill
Air cooling system
Triple glazed removable door
29 litres
Max grill power: 2.7kW

STORAGE DRAWER - LOWER RIGHT:

Internal dimensions:
H160 x W375 x D390mm

STANDARD ACCESSORIES:

Main Oven: Non stick tray, 1 chrome shelf,
roasting/grill pan, grill mesh
Auxiliary Oven (Static oven): 2 x chrome
shelves, enamel tray
Grill compartment: roasting/grill pan, grill
mesh, handle

SY4110WH

110CM "SYMPHONY" DUAL FUEL FOUR CAVITY
RANGE COOKER, WHITE
ENERGY RATING AA



HOB:

6 burners
Rear left: 1.00kW
Front left: Ultra-rapid burner 4.0kW
Rear Centre: 1.75kW
Front Centre: 1.00kW
Rear right: Rapid burner 3.00kW
Heavy duty cast iron pan stands
Automatic electronic ignition
Safety valves
LPG adaptable
Warming zone 130°C

Nominal power: 8.5 kW
45 Amp power supply required

OPTIONAL EXTRAS:

St/steel splash back
Teppanyaki grill plate
Cast iron griddle
Wok support
Stay clean liners (main)
(static)

KITS1 10X
PPX6090
BB3679
WOKGHU
3797
3761

AVAILABLE IN THE FOLLOWING VERSIONS:

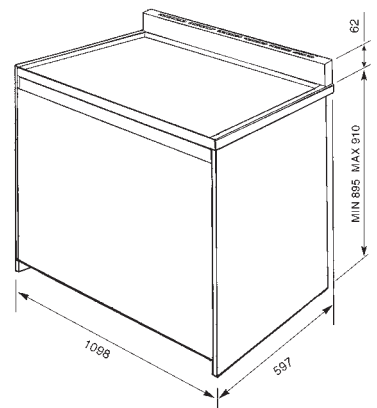
St/steel
Gloss black
White

SY41 10
SY41 10BL
SY41 10WH

MATCHING CHIMNEY HOODS:

St/steel hood
Gloss black hood
White hood

KSE1 10X
KSE1 10BL
KSE1 10WH





SY4110
KITS110X
KSE110X